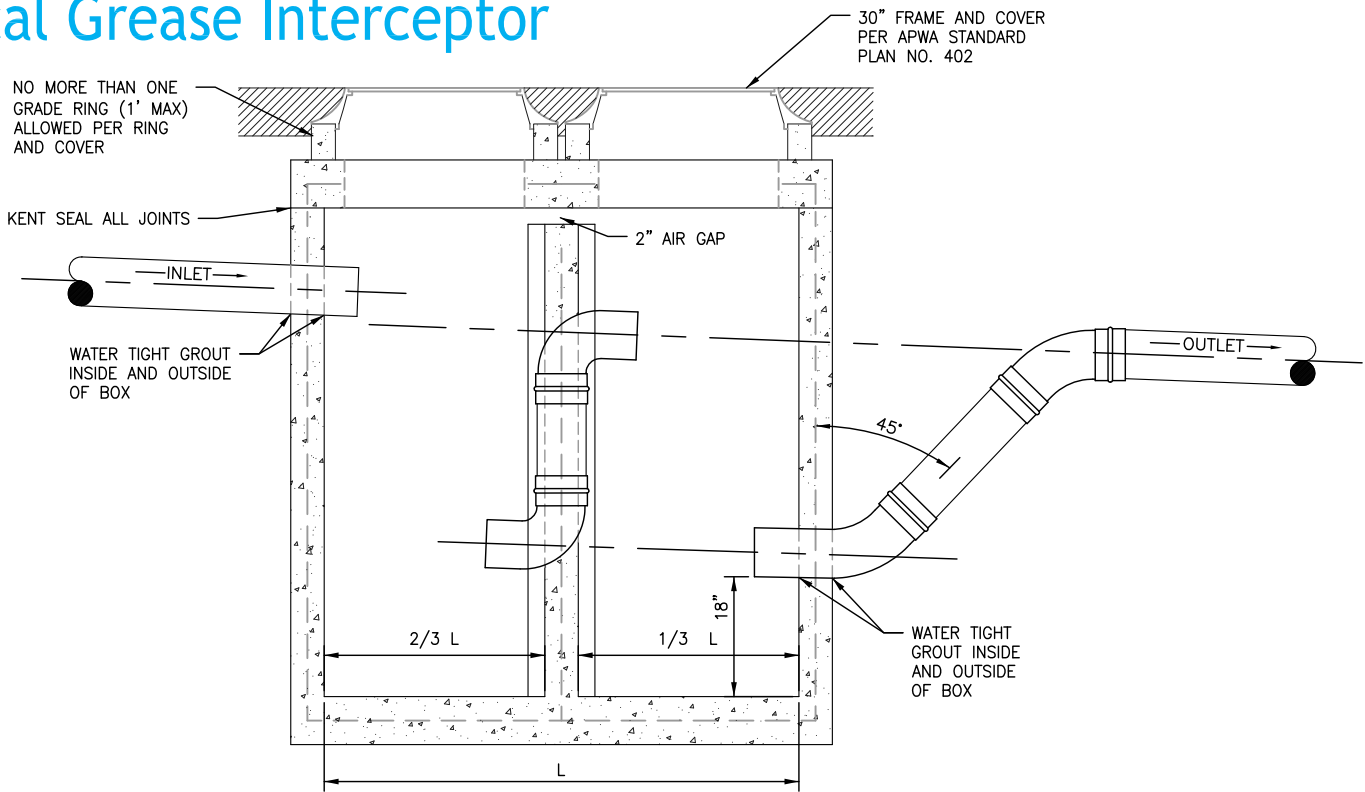
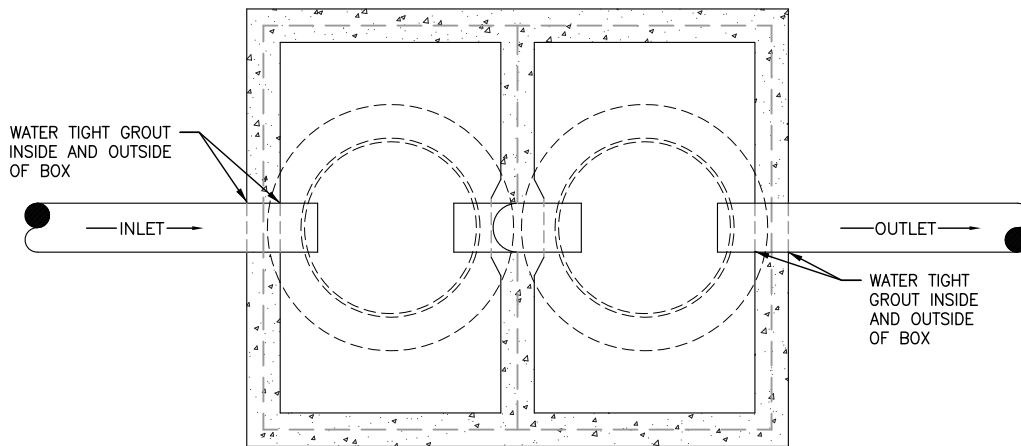


Typical Grease Interceptor



SECTION

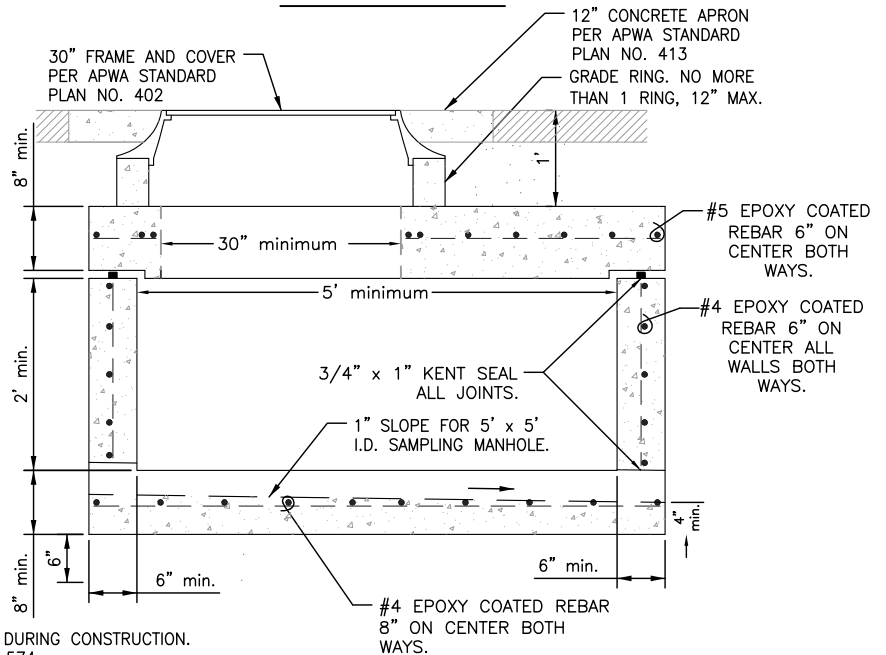
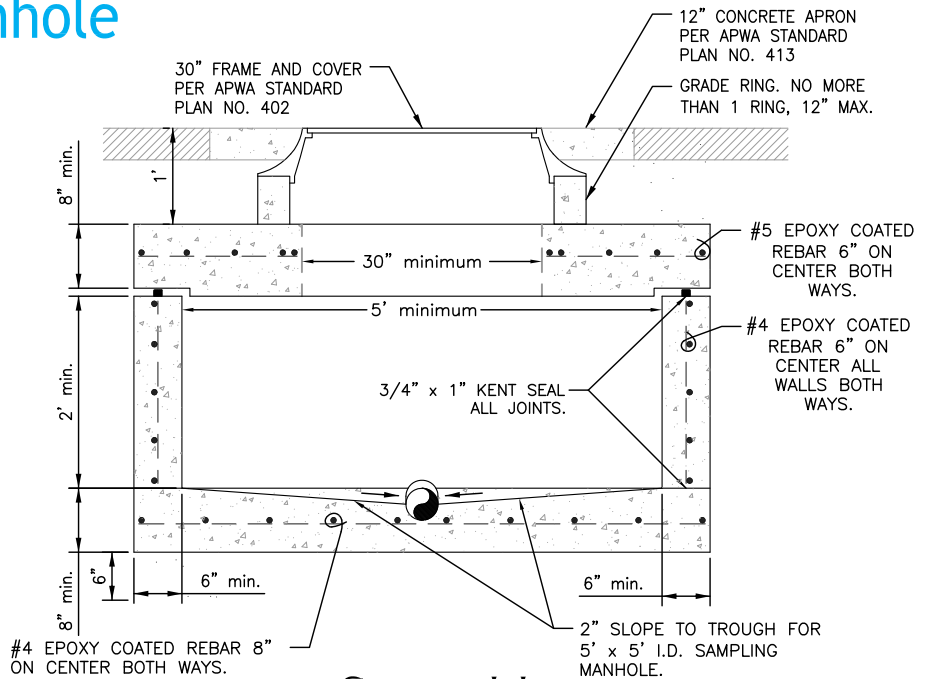
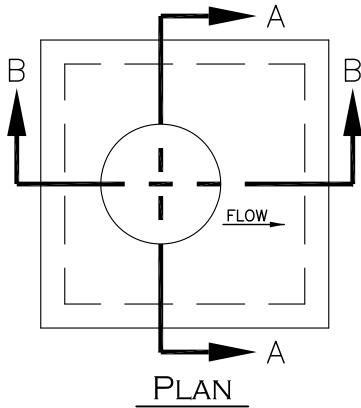


PLAN

NOTES:

1. SEE PAGE 9 FOR GENERAL NOTES.
2. 1,000 GALLON MINIMUM OUTDOOR GREASE INTERCEPTOR. THIS INTERCEPTOR IS NOT A REPLACEMENT FOR AN APPROPRIATELY SIZED AND LOCATED INDOOR GREASE INTERCEPTOR. INDOOR GREASE INTERCEPTORS SHALL COMPLY WITH ALL W.V.C. AND I.P.C. REQUIREMENTS AND SPECIFICATIONS AND BE PLUMBING AND DRAINAGE INSTITUTE CERTIFIED.
3. COVER SHALL BE FLUSH WITH FINISH GRADE.
4. NO MORE THAN ONE GRADE RING (1' MAX.) ALLOWED PER RING AND COVER. IF MORE RISE IS REQUIRED, A SHELL SECTION WITH CENTER WALL SHALL BE INSTALLED.
5. SANITARY SEWER (S.S.) SHALL NOT RUN THROUGH THE SAMPLING MANHOLE AND/OR GREASE INTERCEPTOR. S.S. SHALL BE CONNECTED TO THE SEWER LATERAL DOWNSTREAM FROM THE SAMPLING MANHOLE.
6. SELECT BEDDING AND BACKFILL IS REQUIRED 6" UNDER AND ON SIDES OF THE GREASE INTERCEPTOR.
7. 3/4" MINUS, OR PEA GRAVEL ARE TO BE USED FOR BEDDING AND BACKFILL.
8. BETWEEN TWO DIFFERENT MATERIALS, SUCH AS CLAY TO P.V.C., USE FLEX SEAL ADJUSTABLE REPAIR COUPLINGS ("SHIELDED FERNCO") OR EQUAL (NO-HUB BANDS ARE NOT ALLOWED).
9. FOR INSPECTION, FILL GREASE INTERCEPTOR WITH WATER ABOVE INLET AND OUTLET WATER TIGHT GROUT JOINTS.
10. PIPE SHALL BE P.V.C. SDR 35.
11. GREASE INTERCEPTOR SHALL BE SUITABLE FOR H-20 LOADINGS.
12. GREASE INTERCEPTOR SHALL BE VENTED THROUGH BUILDING PLUMBING.

Typical Sampling Manhole



NOTE:

1. SEE PAGE 9 FOR GENERAL NOTES.
2. THE EXISTING SEWER COLLECTION SYSTEM SHALL REMAIN IN SERVICE DURING CONSTRUCTION.
3. ALL MANHOLES SHALL HAVE A CONCRETE COLLAR PER A.P.W.A. PLAN 574.
4. SELECT BEDDING AND BACKFILL IS REQUIRED 6" UNDER, 12" ON SIDES AND 12" OVER SEWER SAMPLING MANHOLE, LATERAL, FITTINGS AND MAIN.
5. SELECT BEDDING AND BACKFILL SHALL BE 3/4" MINUS GRAVEL. PIPE BEDDING SHALL BE COMPACTED TO 95% MINIMUM ASTM D-1557.
6. MINIMUM TRENCH WIDTH SHALL BE EQUAL TO OUTSIDE PIPE DIAMETER PLUS 1 FOOT ON EACH SIDE OF PIPE.
7. TYPE OF PIPE SHALL BE P.V.C. SDR-35.
8. MINIMUM GRADE FOR 4" P.V.C. SDR-35 IS 2% OR 1/4" PER LINEAL FOOT.
9. BETWEEN TWO DIFFERENT MATERIALS, SUCH AS CLAY TO P.V.C., USE FERCO COUPLERS OR EQUAL (NO-HUB BANDS ARE NOT ALLOWED).
10. DISTANCE BETWEEN CLEANOUTS NOT TO EXCEED 60'.
11. BENDS TOTALING 90° MUST BE BACKED BY A CLEANOUT.
12. SEWER LATERALS MAY RUN UNDER DRIVE APPROACH, PERMITTING TOP OF CLEANOUT IS NOT UNDER CONCRETE.
13. ALL LATERAL PLUGS SHALL BE SLIP IN SOLID PLASTIC PLUGS (BRANDT PLUGS ARE NOT ALLOWED).
14. IF DAMAGE IS CAUSED TO SEWER MAIN, DUE TO M.H. INSTALLATION AND/OR OTHER MEANS, CONTRACTOR WILL BE HELD RESPONSIBLE FOR REPAIRS.
15. SANITARY SEWER SHALL NOT RUN THROUGH THE SAMPLING MANHOLE AND/OR GREASE TRAP. SANITARY SEWER SHALL BE CONNECTED TO THE SEWER LATERAL DOWNSTREAM FROM THE SAMPLING MANHOLE.
16. SAMPLING MANHOLE SHALL BE SUITABLE FOR H-20 LOADINGS.